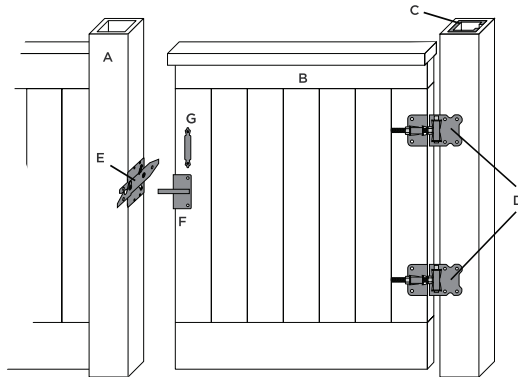


# TREX SECLUSIONS® GATE INSTALLATION GUIDE

## SECLUSIONS GATE COMPONENTS

- A Seclusions 5x5 fence post
- B Seclusions fence gate
- C Steel post stiffener
- D Seclusions fence hinge (2)
- E Seclusions fence latch
- F Seclusions striker
- G Seclusions gate handle (2)
- H 1-1/2" self-tapping screws (20)
- I 1" self-tapping screws (14)



## BEFORE YOU BEGIN

- » Read all instructions before installation.
- » Follow Trex Seclusions Installation Instructions to lay out fence and dig holes.

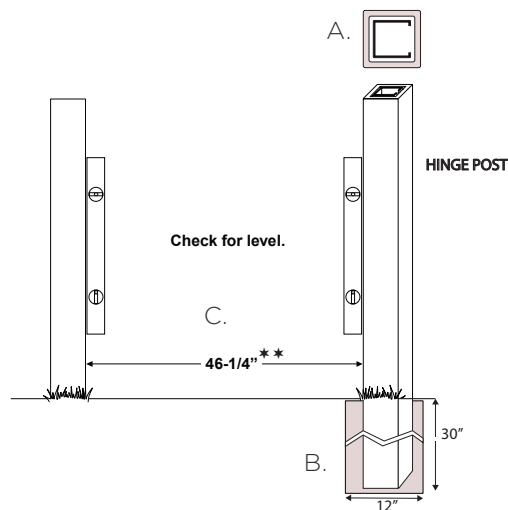
## STEP 1: SET THE GATE POSTS

*Note: Due to concrete cure times, set the gate posts 2-3 days before gate is installed.*

- A. Slide the Steel Post Stiffener into the Hinge post. Open side of insert should face away from gate opening.
- B. Set posts into post holes that are 30" deep (or to frost line) by 12" wide.
- C. Opening (measuring from inside edge of post to inside edge of post) for Standard Size Trex Seclusions Gate panel should be 46-1/4". Inside faces should be plumb and parallel.

**\*\*** Opening for Large Size Trex Gate panel should be 65-3/4". For custom size gates opening is 1-7/8" larger than the gate panel width.

*Note: If Hinge Post is not connected to a fence panel, it may be necessary to use a Heavy Steel Post Stiffener or to fill the post with concrete for additional strength.*



# TREX SECLUSIONS® GATE INSTALLATION GUIDE

## STEP 2: INSTALL THE GATE PANEL

- A. Attach the hinges to the gate panel approximately 6" from the top and bottom of the gate using a 3/8" nut driver and the (4) 1-1/2" supplied self-tapping screws. Pre-drilling with a 3/16" drill bit will make installation easier.

*Note: Install hinges on the side of the gate that you want the gate to swing toward.*

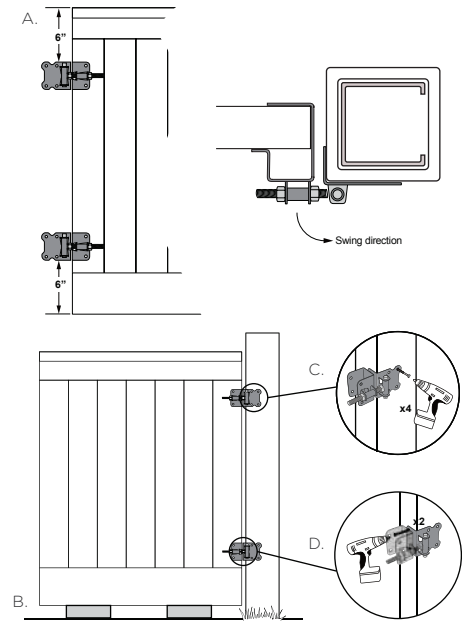
- B. Place the gate panel in the opening. Adjust the gate to be level and to the desired height by placing blocks under gate panel. Allow ample clearance for full swing of gate.

- C. Using (4) 1-1/2" supplied self-drilling screws, attach each hinge to the steel inserted gate post. Pre-drilling with a 3/16" drill bit will ease installation.

- D. Open the panel and attach the inside corner of the bracket to the gate post.

- E. Adjust hinges using the method described below so that there is a minimum of 1" clearance between the gate panel and gate post.

Looking for a unique gate? The flexibility of Trex makes creating a custom gate achievable, limited only by one's imagination. For a customized gate, please consult your local Trex Fence dealer.

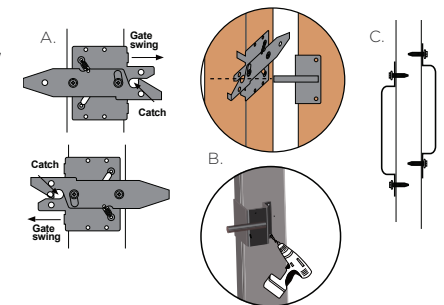


## STEP 3: ATTACH THE LATCH AND HANDLES

- A. Attach the latch to the latch post approximately 36" from the ground using (6) 1-1/2" supplied self-tapping screws. The catch is to be placed in the direction of the gate swing. The catch may face up or down depending on the direction of gate swing.

- B. Using the (4) 1-1/2" supplied self-drilling screws, attach the striker to the gate panel, lining the striker rod up with the catch on the post latch.

- C. Attach gate handles to the gate panel, using (2) 1" supplied self-tapping screws. Handles should be attached 1-3/4" from the edge of the gate panel. The height must be staggered front and back as shown.

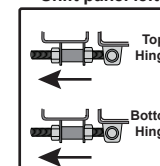


## STEP 4: MAKE ANY FINAL ADJUSTMENTS TO THE GATE HINGE AS NEEDED

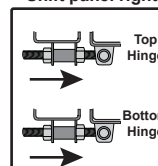
- A. To adjust a sagging gate, or to shift panel in the opening, loosen the hinge nuts with an 11/16" wrench.
- B. Loosen or tighten the nuts in the direction shown below. Lift or push panel to slide the hinge.
- C. Retighten the hinge nuts.

- D. Due to weather and temperature changes, periodic hinge adjustment may be necessary to assure proper latch connection.

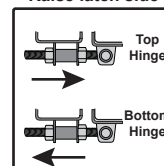
### Shift panel left



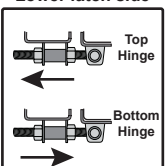
### Shift panel right



### Raise latch side



### Lower latch side



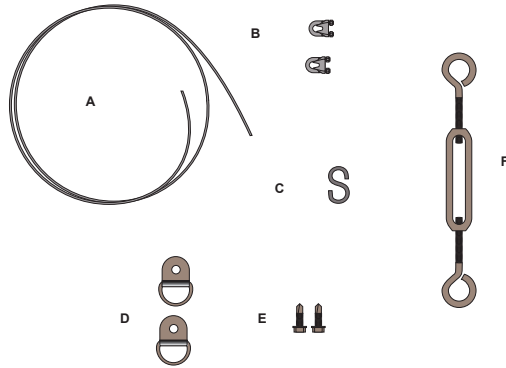
# TREX SECLUSIONS' DOUBLE GATE INSTALLATION GUIDE

## OPTIONAL ANTI-SAG CABLE KIT

For large gate panels, it may be necessary to use an anti-sag cable to eliminate the sag of a gate panel. Anti-sag cable kits can be purchased through your local Trex Distributor.

### ANTI-SAG CABLE KIT COMPONENTS

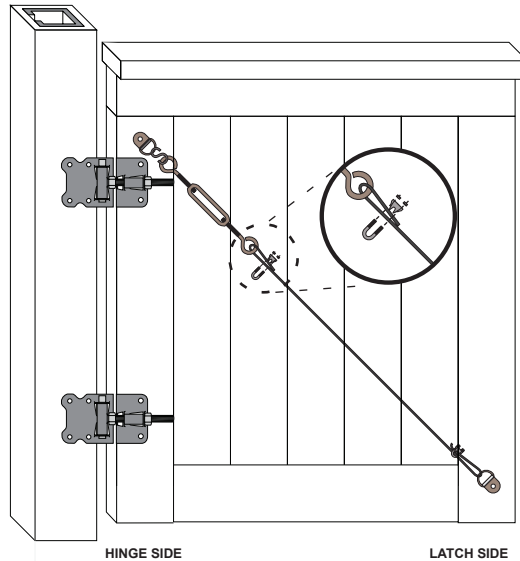
- A Black vinyl wrapped steel cable
- B Cable clamp (2)
- C 'S' hook
- D 'D' rings (2)
- E 1" Self-drilling screws (2)
- F Turnbuckle



### ATTACHING THE CABLE KIT

*Note: To make installation easier, prop the gate to the desired level using a block of wood under the latch side edge of the gate panel.*

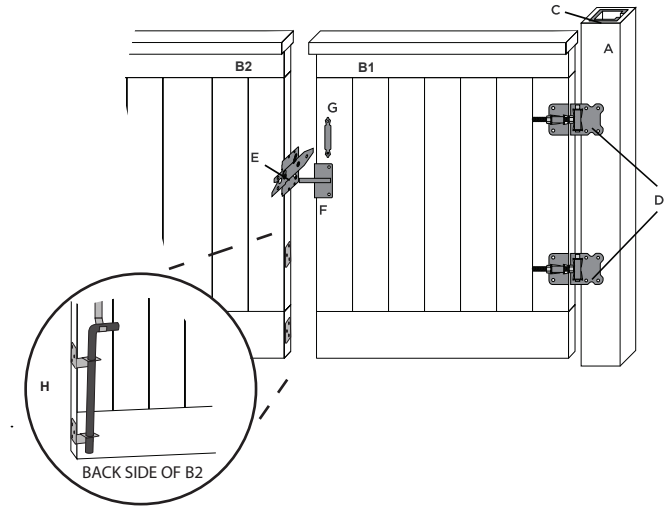
- A. Attach upper 'D' ring to the "hinge side" of the panel, 5-1/2" down from top of gate and 1-3/4" from the edge of gate (to hit the inner steel frame), using (1) self-drilling screw.
- B. Attach lower 'D' ring to the "latch side" of the panel, 2" up from bottom of gate and 1-3/4" from the edge of gate, using (1) self-drilling screw.
- C. Lengthen the turnbuckle as long as possible before proceeding by twisting the center ring. Attach the turnbuckle to the upper "D" ring using the "S" hook.
- D. Loop one end of the cable through the lower eye bolt of the turnbuckle. Attach a cable clamp and tighten nuts as tight as possible.
- E. Loop the other end of the cable through the lower "D" ring and attach the other cable clamp. Pull the cable as tight as possible before tightening the nuts.
- F. Remove any slack by tightening the turnbuckle, twisting the center ring of the turnbuckle.



# TREX SECLUSIONS' DOUBLE GATE INSTALLATION GUIDE

## SECLUSIONS DOUBLE GATE COMPONENTS

- A Seclusions 5x5 fence post
- B Seclusions fence gate panels (2)  
B1 Active panel  
B2 Non-active panel
- C Steel post stiffener (2)
- D Seclusions fence hinge (4)
- E Seclusions fence latch
- F Seclusions striker
- G Seclusions gate handle (2)
- H Seclusions drop rod assembly
- I 2" self-drilling screws (6)
- J 1-1/2" self-drilling screws (40)
- K 1" self-drilling screws (16)



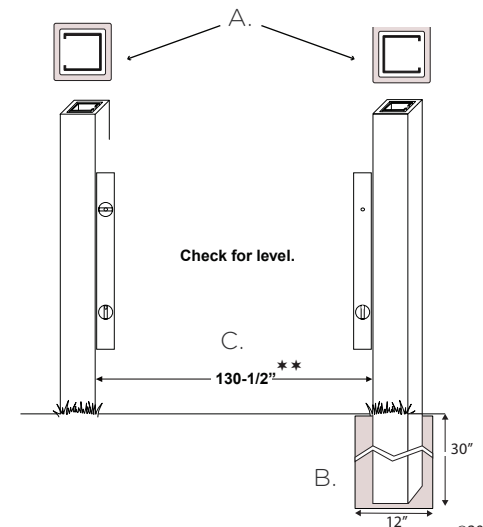
### BEFORE YOU BEGIN

- » Read all instructions before installation.
- » Follow Trex Seclusions Installation Instructions to lay out fence and dig holes.

### STEP 1: SET THE GATE POSTS

*Note: Due to concrete cure times, set the gate posts 2-3 days before gate is installed.*

- A. Slide a Steel Post Stiffener into each hinge post. Open side of insert should face away from gate opening.
  - B. Set posts into post holes that are 30" deep (or to frost line) by 12" wide.
  - C. Opening (measuring from inside edge of post to inside edge of post) for Trex Double Gate using (2) large gate panels should be 130-1/2". Inside faces should be plumb and parallel.
- \*\*** Opening for double gate using two small panels should be 91-1/2". For custom size double gates the opening is 2-3/4" larger than the combined panel widths.



*Note: If Hinge Post is not connected to a fence panel, it may be necessary to use a Heavy Steel Post Stiffener or to fill the post with concrete for additional strength.*

# TREX SECLUSIONS® DOUBLE GATE INSTALLATION GUIDE

## STEP 2: INSTALL THE GATE PANEL

- A. Attach the hinges to the gate panel approximately 6" from the top and bottom of the gate using a 3/8" nut driver and the (4) 1-1/2" supplied self-drilling screws. Pre-drilling with a 3/16" drill bit will make installation easier.

Note: Install hinges on the side of the gate that you want the gate to swing toward.

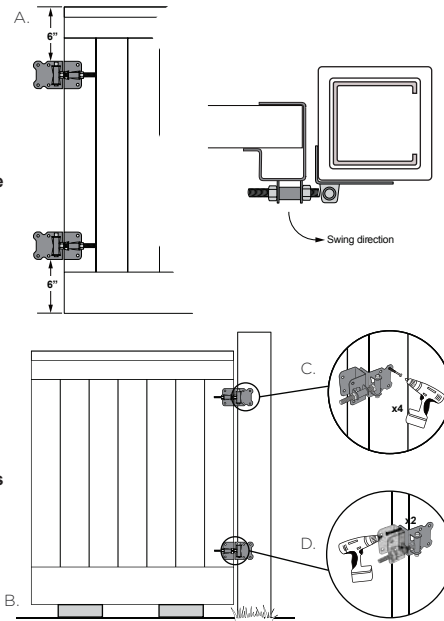
- B. Place the gate panel in the opening. Adjust the gate to be level and to the desired height by placing blocks under gate panel. Allow ample clearance for full swing of gate.

- C. Using (4) 1-1/2" supplied self-drilling screws, attach each hinge to the steel inserted gate post. Pre-drilling with a 3/16" drill bit will ease installation.

- D. Open the panel and attach the inside corner of the bracket to the gate post.

- E. Repeat the process to hang the other gate panel.

- F. Adjust hinges using the method described in Step 5 to create an even 7/8" gap between the panels and so the tops of the panels are even.

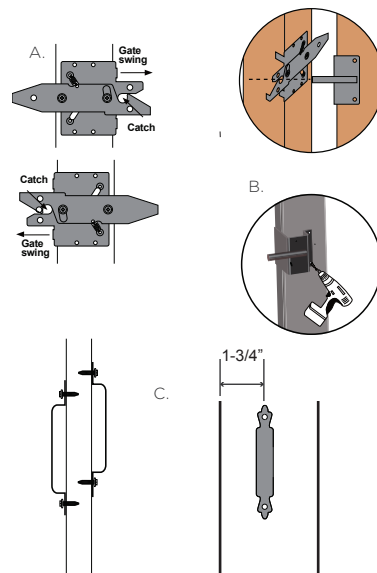


## STEP 3: ATTACH THE LATCH AND HANDLES

- A. Attach the latch to the non-active panel approximately 36" from the ground using (6) 1-1/2" supplied self-drilling screws. The catch is to be placed in the direction of the gate swing. The catch may face up or down depending on the direction of gate swing.

- B. Using the (4) 1-1/2" supplied self-drilling screws, attach the striker to the active gate panel, lining the striker rod up with the catch on the post latch.

- C. Attach gate handles to the active gate panel, using (2) 1" supplied self-drilling screws. Handles should be attached 1-3/4" from the edge of the gate panel. The height must be staggered front and back as shown.



# TREX SECLUSIONS® DOUBLE GATE INSTALLATION GUIDE

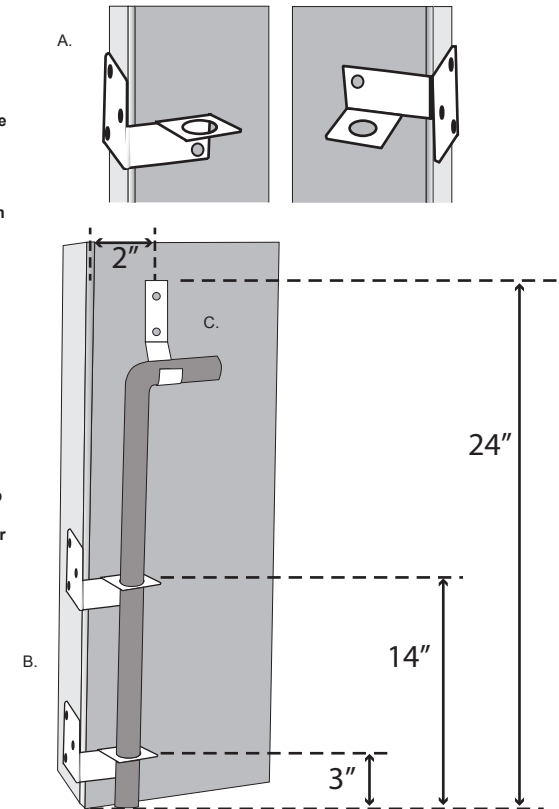
## STEP 4: MOUNT THE DROP ROD TO THE NON-ACTIVE PANEL

- A. Attach the drop rod brackets to the back side of the non-active gate panel. Reverse the drop rod brackets depending on which side of the gate the drop rod is to be mounted.

- B. Measuring from the horizontal tab (see below), attach the lower bracket 3" from the bottom of the gate panel using (3) 2" self-drilling screws on the inside edge of the gate panel and (1) 1" self-drilling screw on the face of the gate panel. Repeat this process for the upper bracket, attaching it 14" from the bottom of the panel.

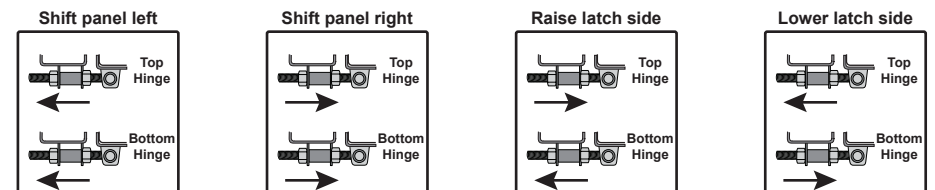
- C. Attach the drop rod hanger 24" from the bottom of the gate panel and 2" from the center of the screw holes from the edge of the gate panel.

- D. Mark the location on the ground where the drop hits. If your gate is over a concrete pad, drill an 8" deep hole using a 3/4" masonry bit for the drop rod to slide into when the gate is closed. For gates over dirt, dig a hole 8" wide x 18" deep below the drop rod, fill it with concrete, and insert an 8" long 3/4" pvc pipe in the concrete for the drop rod to slide into after the concrete has cured.



## STEP 5: MAKE ANY FINAL ADJUSTMENTS TO THE GATE HINGES AS NEEDED

- A. To adjust a sagging gate, or to shift panel in the opening, loosen the hinge nuts with an 11/16" wrench.
- B. Loosen or tighten the nuts in the direction shown below. Lift or push panel to slide the hinge.
- C. Retighten the hinge nuts.



- D. Due to weather and temperature changes, periodic hinge adjustment may be necessary to assure proper latch connection.