

TREX TRANSCEND® RAILING

Installation Instructions

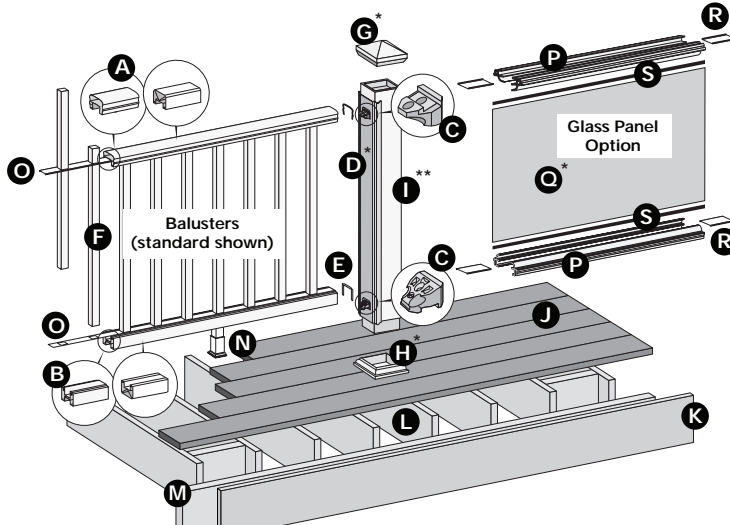


NOTES:

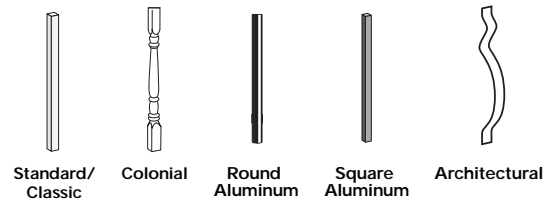
» TREX TRANSCEND RAILINGS ARE DESIGNED TO BE INSTALLED OVER THE DECKING FRAME OR ON INSIDE OF RIM JOIST. NOTCHING OF PRESSURE TREATED POSTS OR POSTS INSTALLED ON OUTSIDE OF RIM JOIST ARE NOT ALLOWED.

» All Trex Transcend Railing lengths are manufactured at ON CENTER dimensions (spanning from center of each post): 67-5/8" (176.8 cm) for 6' (1.83 m) on center, and 92-5/8" (235.3 cm) for 8' (2.44 m) on center. Note that railings are designed to be slightly longer that required to allow for very slight play in post placement – some minimal trimming may be required. IT IS VERY IMPORTANT TO MEASURE FIRST.

PARTS



BALUSTER OPTIONS



NOTE: Pictorial representations shown may only show one style of railing, while others may also be used. Review detailed instructions to determine what railing styles and combinations can be used.

DETERMINING BALUSTERS NEEDED

Baluster Type	Per 6' OC Section	Per 8' OC Section
Square and Colonial (Horizontal Application)	13	18
Square and Colonial (Stair Application)	11	15
Architectural (Horizontal Application)	14	19
Architectural (Stair Application)	11	15
Round/Square Aluminum (Horizontal Application)	15	20
Round/Square Aluminum (Stair Application)	12	16

NOTES: Basic installation for balusters is the same for all options. When using architectural or round or square aluminum balusters, use correct baluster spacers.

» If using the Architectural baluster with Transcend railing, and rattling of the balusters is a problem, use of a sticky back weather stripping, small foam pipe sleeve, or weather resistant caulking will help eliminate this. All these methods can be done after the railing has been installed if this is determined to be a problem. Unattach the baluster spacer, and use of the above recommendations (if using caulk, make sure to not get any on outside of railing—wipe away excess) and then snap baluster spacer back into place.

NOTE: If installing 42" (106.7 cm) railing, use longer posts sleeves and measure accordingly to ensure a proper cut. **DO NOT CUT TO ACTUAL 42" LENGTH WITHOUT CONFIRMING WHAT STYLE OF RAILING YOU ARE INSTALLING.**

- A. Crown, Universal, or Beveled rail
- B. Universal or Beveled rail
- C. Trex railing support bracket (RSB)
- D. TrexExpress™ Railing Assembly Template*
- E. Rail gaskets
- F. Balusters
- G. Post sleeve cap*
- H. Post sleeve skirt*
- I. Post sleeve - 4" x 4" (10.2 cm x 10.2 cm) or 6" x 6" (15.2 cm x 15.2 cm) post sleeve)**
- J. Trex decking
- K. TrexTrim™ or Trex fascia
- L. Code-approved wood joist - 2" x 8" (5.1 cm x 20.3 cm)
- M. Code-approved wood rim joist - 2" x 8" (5.1 cm x 20.3 cm) or larger
- N. Adjustable foot block
- O. Baluster spacer

Trex Transcend® Glass Panel Parts List

- P. Panel support molding
- Q. Tempered glass panel*
- R. Trex panel support molding spacer
- S. Weatherstripping

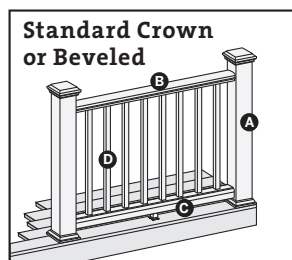
* Item not included in the Transcend railing kits.

** Both 4" x 4" (10.2 cm x 10.2 cm) and 6" x 6" (15.2 cm x 15.2 cm) post sleeves are designed to fit over 4" x 4" pressure-treated post.

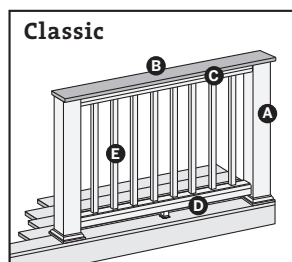
TREX TRANSCEND® RAILING

Installation Instructions

TREX TRANSCEND® RAILING CONFIGURATIONS

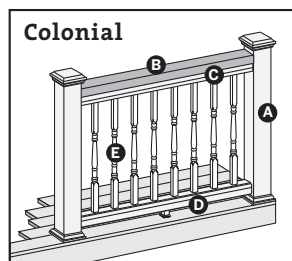


- Cutting post sleeves is **NOT** required.
- A. Pressure-treated post or Trex post mounts with Trex Transcend post sleeve
 - B. Crown or beveled rail
 - C. Universal bottom or beveled rail
 - D. Trex balusters
- See page 3 for "How to Install Standard Railing".

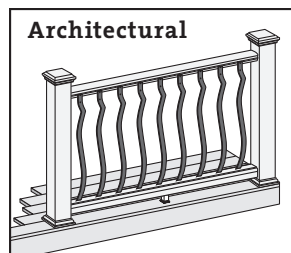
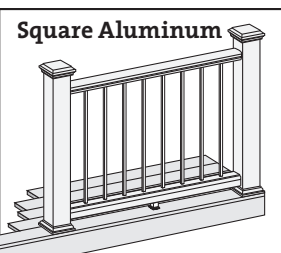
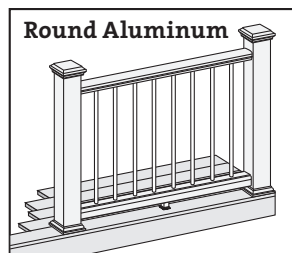


- Post sleeves **WILL NEED TO BE CUT.**
- A. Pressure-treated post with Trex Transcend post sleeve
NOTE: » Only for use with 4" x 4" (10.2 cm x 10.2 cm) post sleeve.
» Trex Post Mounts (for decking or concrete) cannot be used with Transcend® classic design.
 - B. Deck board top rail. **NOTE:** 5" (12.7 cm) contours and escapes cannot be used.
 - C. Universal top rail
 - D. Universal bottom or beveled rail (**DO NOT** use beveled rail as top rail for this application)
 - E. Trex balusters
- See page 5 for "How to Install Classic Railing".

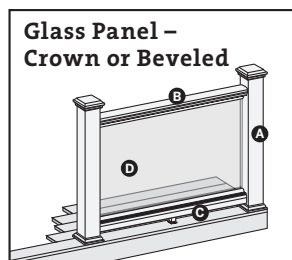
**POST
SLEEVES
WILL
NEED TO
BE CUT**



- Cutting post sleeves is **NOT** required.
- A. Pressure-treated post or Trex post mounts with Trex Transcend post sleeve
 - B. 2" x 4" (5.1 cm x 10.2 cm) lateral top rail
 - C. Universal top rail
 - D. Universal bottom or beveled rail (**DO NOT** use beveled rail as top rail for this application)
 - E. Trex balusters
- See page 6 for "How to Install Colonial Railing".



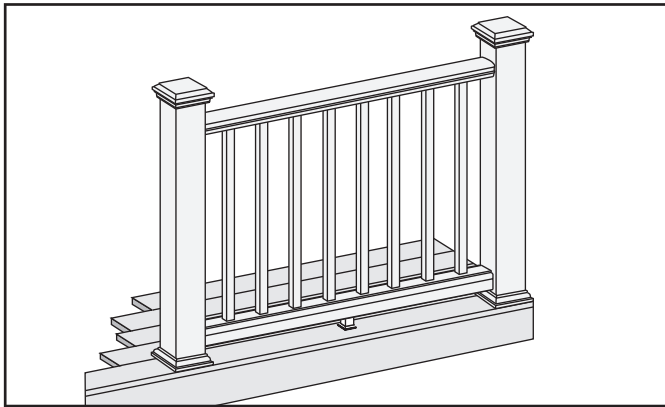
- » Follow desired railing style instructions found above, substituting correct baluster spacer for type of baluster being used.
- » Refer to detailed instructions for added steps when using round and square aluminum balusters.



- Cutting post sleeves is **NOT** required.
- A. Pressure-treated post with Trex Transcend post sleeve. Trex post mounts (for decking or concrete) cannot be used with glass panels.
 - B. Crown rail or beveled rail (use universal rail if building classic or colonial design with glass inserts)
 - C. Universal bottom or beveled rail
 - D. Tempered glass panel (**NOT** included in kit)
- See page 9 for "How to Install Classic Style Glass Panel Railing". See page 11 for "How to Install Colonial Style Glass Panel Railing".
- NOTE:** Glass panels are **NOT** recommended in stair applications.

HOW TO INSTALL STANDARD CROWN OR BEVELED RAILING

TREX TRANSCEND®



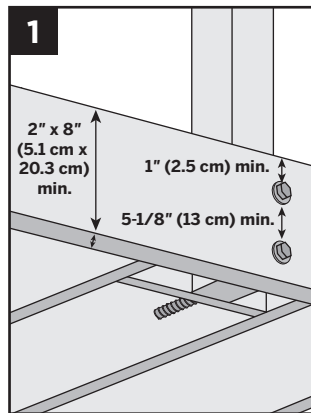
Read all instructions **BEFORE** installation.

Important: Post sleeves are **NOT** to be cut for this design style.

Installing Pressure-Treated Posts

» Posts are to be installed **6' (1.83 m) or 8' (2.44 m) on center to accommodate appropriate railing length.**

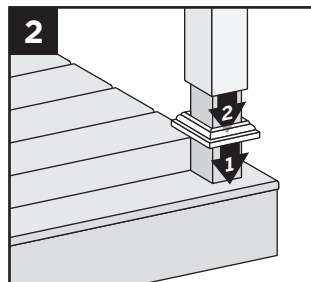
- » Attach posts using 1/2" (1.3 cm) carriage bolts.
- » Minimum joist size is 2" x 8" (5.1 cm x 20.3 cm).
- » Top bolts must be 1" (2.5 cm) from tops of joists.
- » Bottom bolts must be 5-1/8" (13 cm) from top bolts.



NOTE: Blocking can be added for extra strength.

Installing Post Sleeve Skirts and Post Sleeves

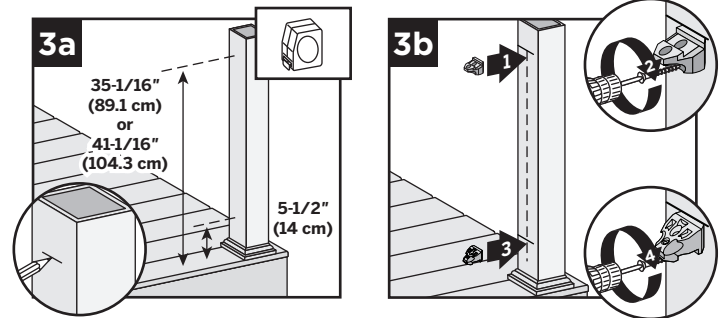
2. Slide post sleeve skirt over post and down to rest on decking surface. Slide post sleeve over post and position inside post sleeve skirt.



NOTE: Shims can be used to plumb post sleeves.

Installing Railing Support Brackets (RSBs)

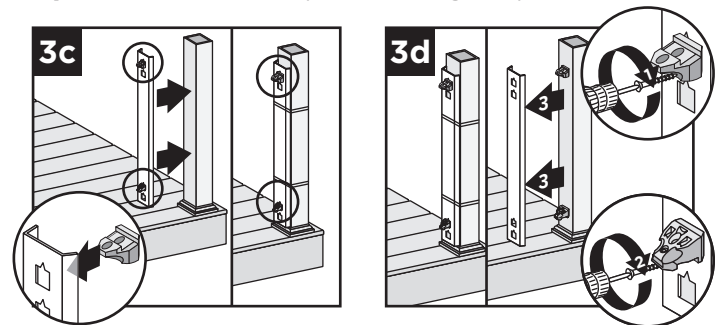
Option 1: Without TrexExpress™ railing template



3a. Mark 5-1/2" (14 cm) and 35-1/16" (89.1 cm) from deck surface **OR** for 42" (106.7 cm) height, mark 5-1/2" (14 cm) and 41-1/16" (104.3 cm) from the deck surface.

3b. Place RSBs directly under marks, center on posts, and secure with 2" (5.1 cm) wood screws (provided with post sleeve). **Place top RSBs flat side UP, bottom RSBs flat side DOWN.**

Option 2: With TrexExpress™ railing template



3c. Place RSBs in template. **Place top RSBs flat side UP, bottom RSBs flat side DOWN.** Secure template on post with tape or rubber band, with bottom of template resting on post skirt.

3d. Secure RSBs with 2" (5.1 cm) wood screws (provided in railing kit) and remove template.

NOTE: Special steps are necessary when using 6" x 6" (15.2 cm x 15.2 cm) plastic TrexExpress™ template.

- » Cut off 1/2" (1.3 cm) from the bottom (blue arrows up) of the tool **BEFORE** first use.
- » Position top RSBs **ONLY**, 6" (15.2 cm) higher for 42" (106.7 cm) rail height.
- » Secure RSBs with 2-1/2" (6.4 cm) wood screws (provided with post sleeve) and remove template.

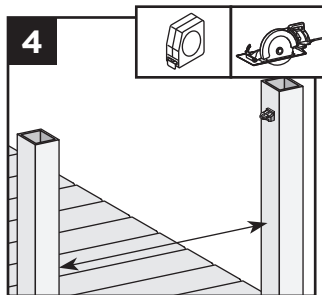
TREX TRANSCEND® RAILING

Installation Instructions

HOW TO INSTALL STANDARD CROWN OR BEVELED RAILING/CONTINUED TREX TRANSCEND®

Cutting Railings

4. Measure between posts and cut rails to same length.



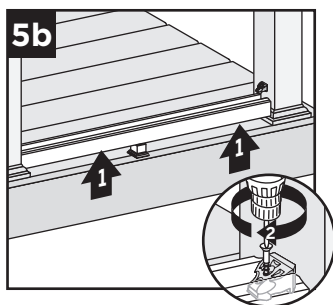
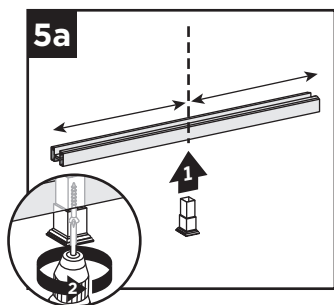
NOTES:

- » If using optional rail gaskets, subtract 1/16" (0.15 cm) from each end.
- » Attach baluster spacers to railing before cutting to allow for cleaner cut and less work.
- » When measuring, cut equal lengths from each side of railing and baluster spacer to ensure equal spacing of balusters per each railing section.
- » In some cases, the gasket can be attached before tightening railing to RSB.
- » If gaskets are tight, use a small flat head screwdriver to compress the tabs of the gasket if they are stuck outside the rail.

Attaching Bottom Rail (Universal or Beveled Rail) and Foot Block

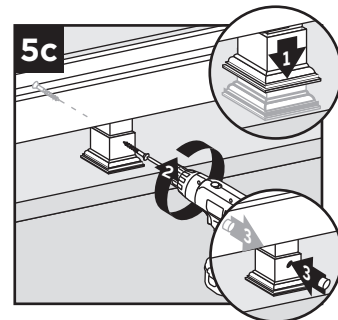
NOTES:

- » **REFER TO PAGE 18 FOR INSTRUCTIONS FOR INSTALLING FOOT BLOCKS ON UNIVERSAL RAILS.**
- » **IF INSTALLING BEVELED RAILING REFER TO PAGE 18 PRIOR TO INSTALLING FOOT BLOCK AS FOOT BLOCK MAY HAVE TO BE TRIMMED.**
- » **FOOT BLOCKS COME WITH SPECIFIC INSTRUCTIONS ON HOW TO ATTACH THESE TO DESIGNATED RAILINGS—ALSO REFER TO THESE INSTRUCTIONS AS WELL.**

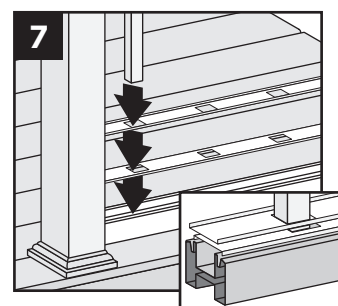
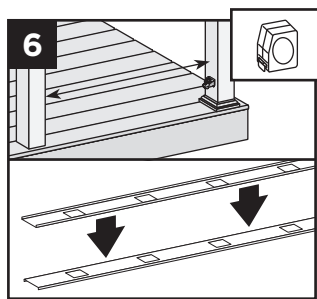


- 5a. Center foot block in universal rail channel or on beveled bottom rail and attach. **DO NOT** extend foot block.
- 5b. Lift bottom rail so RSBs are in the channel and attach with self-tapping screws (*provided*).

- 5c. Telescope foot block down and screw through opposite sides. Place screw plugs.



Placing Baluster Spacers and Balusters

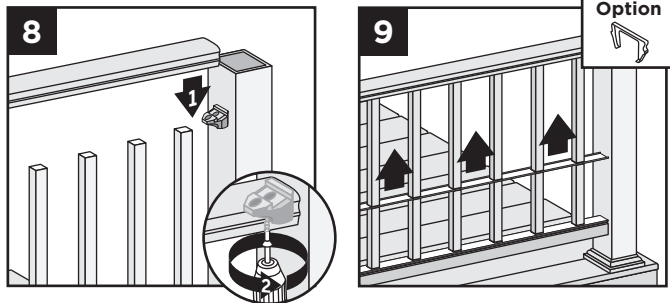


6. Cut baluster spacers the same length as rails, equally spaced so the holes line up.
7. Snap baluster spacer into bottom rail. Place inverted baluster spacer on top of first baluster spacer. Place balusters in baluster spacer holes.

4

HOW TO INSTALL STANDARD CROWN OR BEVELED RAILING/CONTINUED TREX TRANSCEND®

Attaching Top Rail – Crown or Beveled Rail

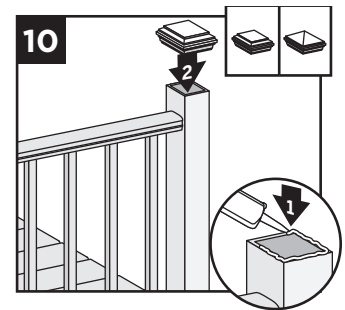


8. Place crown or beveled rail on RSBs with balusters in rail channels. Attach top rail to RSB with two self-tapping screws (*provided*).
9. Slide baluster spacer up and snap into top rail. Place optional top rail gaskets on each end of rail.

Attaching Post Caps

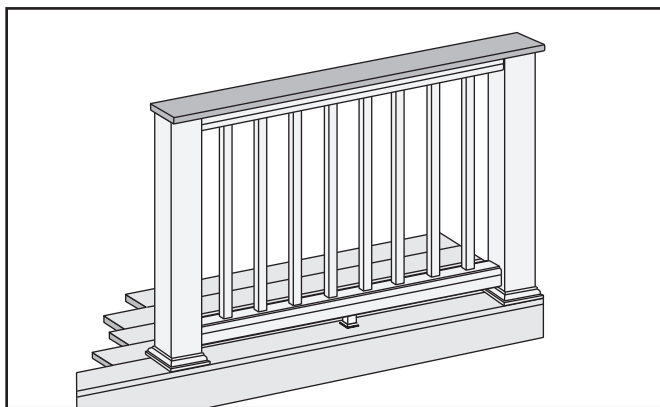
10. Secure post caps with silicone or PVC adhesive.

NOTE: Clean-up any excess adhesive before drying.



HOW TO INSTALL CLASSIC RAILING TREX TRANSCEND®

NOTE: Beveled rail cannot be used as top rail in this application.

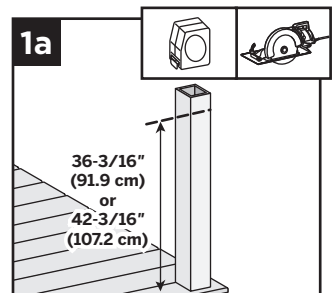


Important: ONLY use with 4" x 4" (10.2 cm x 10.2 cm) post and post sleeve. Cutting post and post sleeve **ONLY** apply to the Classic style railing.

1. **Installing Pressure-Treated Posts**
See instructions on page 3.

Cutting Post and Post Sleeve

- 1a. Mark and cut post and post sleeve measuring from deck surface:
 - » 36-3/16" (91.9 cm) for 36" (91.4 cm) height.
 - » 42-3/16" (107.2 cm) for 42" (106.7 cm) height.



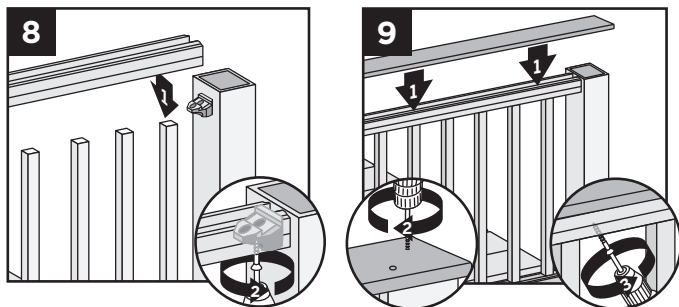
2. **Installing Post Sleeve Skirts and Post Sleeves** *See instructions on page 3.*
3. **Installing Railing Support Brackets (RSBs)**
See instructions on page 3.
4. **Cutting Railings**
See instructions on page 4.
5. **Attaching Bottom Rail (Universal or Beveled Rail) and Foot Block**
See instructions on page 4.
- 6-7. **Placing Baluster Spacers and Balusters**
See instructions on page 4.

TREX TRANSCEND® RAILING

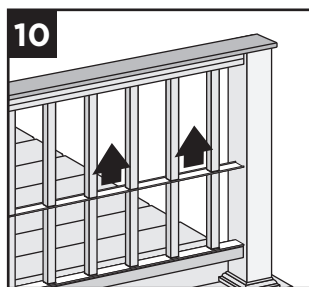
Installation Instructions

HOW TO INSTALL CLASSIC RAILING/*CONTINUED* TREX TRANSCEND®

Attaching the Inverted Universal Rail as Top Rail



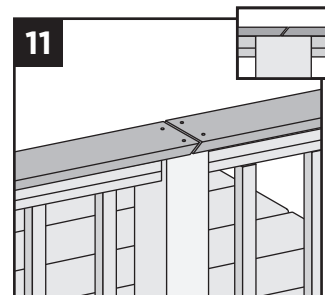
8. Place inverted universal rail onto RSBs with balusters in channel. Attach universal rail to RSBs with two self-tapping screws (*provided*).
9. Place deck boards (**DO NOT** use *Escapes, Select, or Contour* deck boards for top rail) over universal rails. Attach boards on each post with Trex-recommended composite screws (*see page 29 of the Trex 2012 Installation Manual*) at a diagonal. Secure boards to universal rails with 2" (5.1 cm) pan-head screws (*not provided*) at an angle every 16" (40.6 cm) on center.



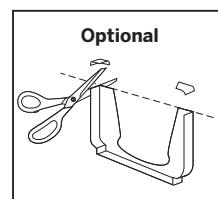
10. Slide baluster spacers up and snap into universal rails.

NOTE: If necessary, cut tips off rail gaskets prior to installation.

11. Use scarf cut for posts where two deck boards meet.

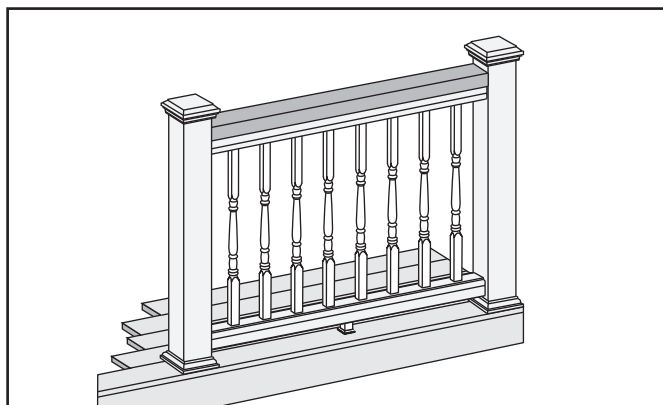


NOTE: If installing in weather below 40°F (4.5°C), leave 1/8" (0.3 cm) gap between deck boards.



HOW TO INSTALL COLONIAL RAILING TREX TRANSCEND®

NOTE: Beveled rail cannot be used as top rail in this application.

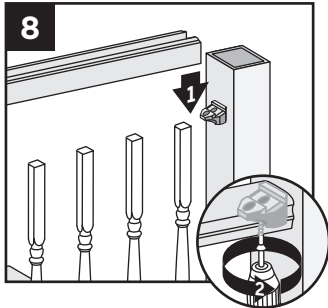


1. **Installing Pressure-Treated Posts**
See instructions on page 3.

2. **Installing Post Sleeve Skirts and Post Sleeves**
See instructions on page 3.
3. **Installing Railing Support Brackets (RSBs)**
See instructions on page 3.
4. **Cutting Railings**
See instructions on page 4.
5. **Attaching Bottom Rail (Universal or Beveled Rail) and Foot Block**
See instructions on page 4.
- 6-7. **Placing Baluster Spacers and Balusters**
See instructions on page 4.

HOW TO INSTALL COLONIAL RAILING/CONTINUED TREX TRANSCEND®

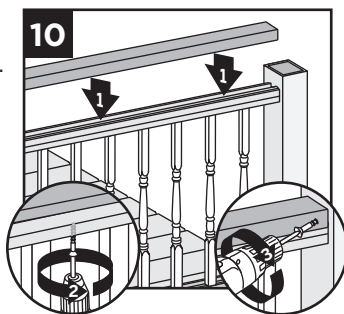
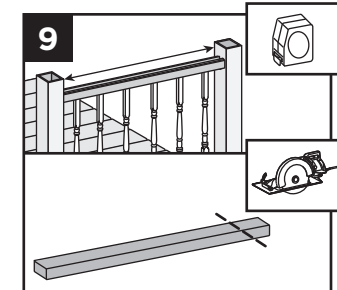
Attaching Inverted Universal Rail as Top Rail



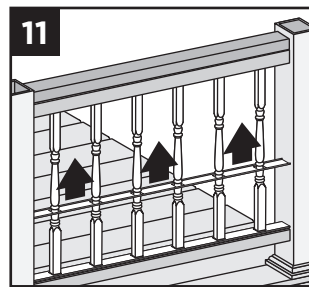
8. Place inverted universal rail onto RSBs with balusters in channel. Attach universal rail with two self-tapping screws (*provided*).

9. Measure between posts and cut 2" x 4" (5.1 cm x 10.2 cm) to length.

10. Place 2" x 4" (5.1 cm x 10.2 cm) on universal rail. Attach board to rail with 2" (5.1 cm) pan-head screws (*not provided*) every 16" (40.6 cm) on center.

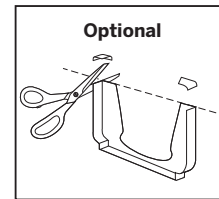


Pre-drill a pilot hole and toenail 2-1/2" (6.4 cm) screw at each end of 2" x 4" (5.1 cm x 10.2 cm) into post on back side of rail (side not facing decking).



11. Slide baluster spacer up and snap into universal rail.

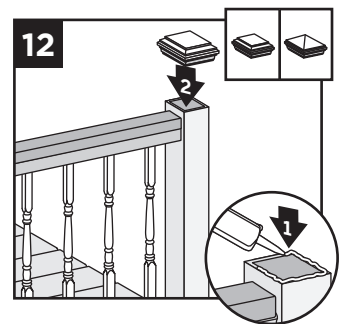
NOTE: If necessary, cut tips off rail gaskets prior to installation.



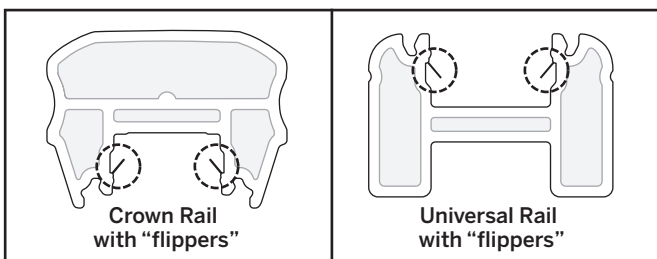
Attaching Post Caps

12. Secure post cap with silicone or PVC adhesive.

NOTE: Clean-up any excess adhesive before drying.



HOW TO INSTALL ROUND OR SQUARE ALUMINUM BALUSTERS TREX TRANSCEND®



NOTE: Older style crown and universal rails have "flippers" on the inside of the channels. Using **EXTREME CAUTION**, remove/cut these flippers on each side to allow for the fit of the aluminum baluster adaptor strip. All beveled style railings **DO NOT** have flippers.

1. **Installing Pressure-Treated Posts**
See instructions on page 3.
2. **Installing Post Sleeve Skirts and Post Sleeves**
See instructions on page 3.
3. **Installing Railing Support Brackets (RSBs)**
See instructions on page 3.
4. **Cutting Railings**
See instructions on page 4.
5. **Attaching Bottom Rail (Universal or Beveled Rail) and Foot Block**
See instructions on page 4.

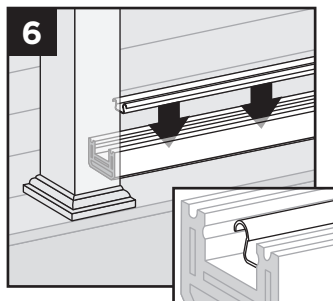
TREX TRANSCEND® RAILING

Installation Instructions

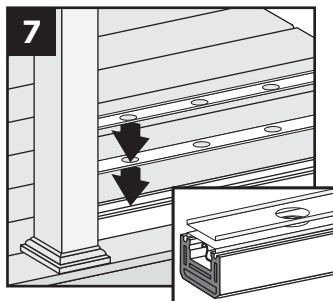
HOW TO INSTALL ROUND OR SQUARE ALUMINUM BALUSTERS/CONTINUED TREX TRANSCEND®

Installing Aluminum Baluster Adaptor Strip and Baluster Spacers

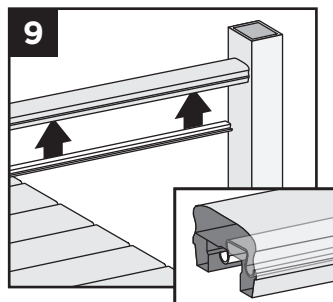
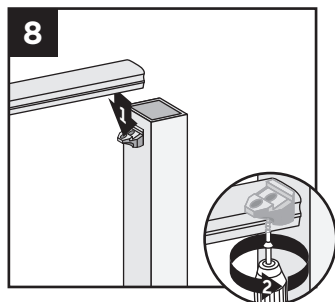
6. After bottom rail is fully installed, place aluminum baluster adaptor strip into channel of bottom rail, ensuring that it's fully seated into the channel. When rail lengths are non-standard, the baluster adaptor strip will need to be cut 2-1/2" shorter than the rail to allow clearance for the RSB's on each end.



7. Snap baluster spacer into bottom rail. Place inverted baluster spacer on top of first baluster spacer.

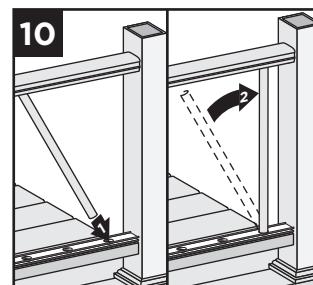


Attaching Top Rail, Aluminum Baluster Adaptor Strip, and Balusters and Bottom Baluster Spacer



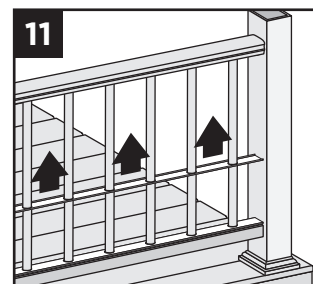
8. Place crown or beveled rail on RSBs with balusters in rail channels. Attach top rail to RSB with two self-tapping screws (provided).
9. After top rail is fully installed, place aluminum baluster adaptor strip into channel of top rail, ensuring that it's fully seated into the channel.

10. Working at slight angle, press baluster through both baluster spacers and into bottom aluminum baluster adaptor strip, ensuring balusters are tight. Once balusters are seated into aluminum baluster adaptor strip of bottom rail, maneuver baluster into upper rail aluminum baluster adaptor strip. Some force will be needed to press balusters into place and level these.

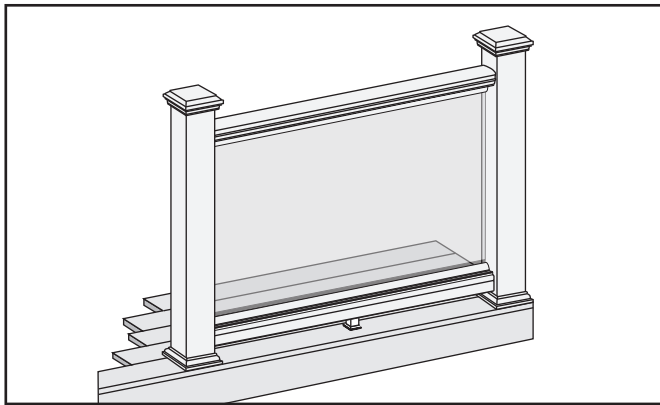


Tip: Ensure balusters are level prior to attempting to slide baluster spacer up. This will allow for the baluster spacer to move up freely and snap into upper rail. Use of a rubber mallet to gently tap balusters in level is recommended.

11. Slide baluster spacer up and snap into top rail. Place optional top rail gaskets on each end of rail.



HOW TO INSTALL STANDARD GLASS PANEL CROWN OR BEVELED RAILING TREX TRANSCEND®



NOTES: Read all instructions BEFORE installation.

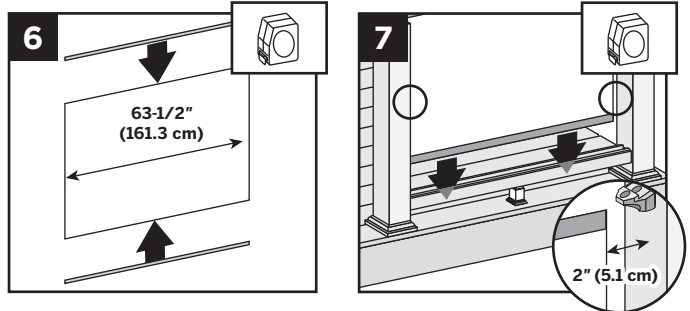
- » You must purchase the 1/4" (0.6 cm) tempered glass panels. See dimensions below.
- » Glass panels **ONLY** for use with maximum 6' (1.83 m) on center post spacing.
- » **NOT** recommended for stair applications.

TEMPERED GLASS PANEL DIMENSIONS

- » **36" (91.4 cm) high rail:**
1/4" x 30" x 63-1/2" max.
(0.6 cm x 76.2 cm x 161.3 cm)
- » **42" (106.7 cm) high rail:**
1/4" x 36" x 63-1/2" max.
(0.6 cm x 91.4 cm x 161.3 cm)

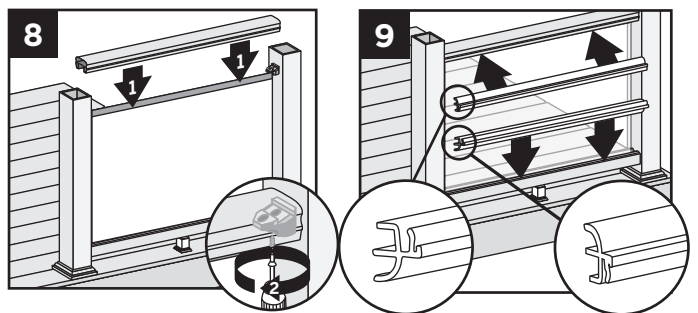
1. **Installing Pressure-Treated Posts**
See instructions on page 3.
2. **Installing Post Sleeve Skirts and Post Sleeves** See instructions on page 3.
3. **Installing Railing Support Brackets (RSBs)**
See instructions on page 3.
4. **Cutting Railings**
See instructions on page 4.
5. **Attaching Bottom Rail (Universal or Beveled rail) and Foot Block**
See instructions on page 4.

Attach Weatherstripping and Positioning Panel



6. Push black-edged trim onto upper and lower edges of panel. Be sure trim runs entire length of glass. Extra trim can be cut with razor blade or scissors.
7. Position panel with weatherstripping into lower rail channel. Center panel between posts with about 2" (5.1 cm) of air space on each side of panel.

Attaching Top (Crown or Beveled) Rail and Panel Support Molding



8. Place top rail over RSB brackets and glass panel. Secure rail to RSBs with 1-1/2" (3.8 cm) self-drilling screws (provided).

NOTE: Avoid hitting glass panel while using the drill.

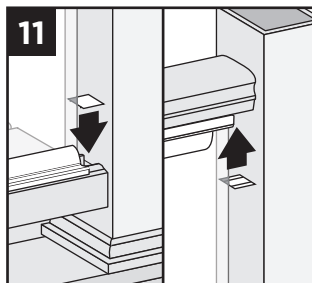
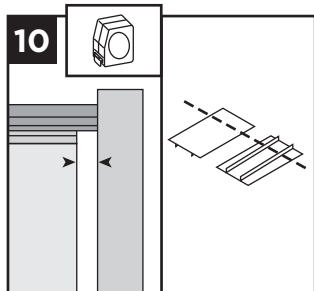
9. Push PSM into rail to complete snap connection. Lower rail PSM edge rests on top of rail. Top rail PSM snaps flush into rail. If using beveled rails, the PSM will rest on the edges on the rail.

TREX TRANSCEND® RAILING

Installation Instructions

HOW TO INSTALL STANDARD GLASS PANEL CROWN OR BEVELED RAILING/ CONTINUED TREX TRANSCEND®

Hiding Brackets

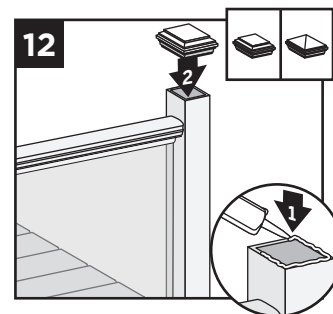


10. Cut Transcend baluster spacer into four lengths equal to distance between the glass panel and posts. Cut slowly and one at a time, to avoid chipping.
11. Snap spacer into bottom and top rail to hide brackets and create a seamless look.

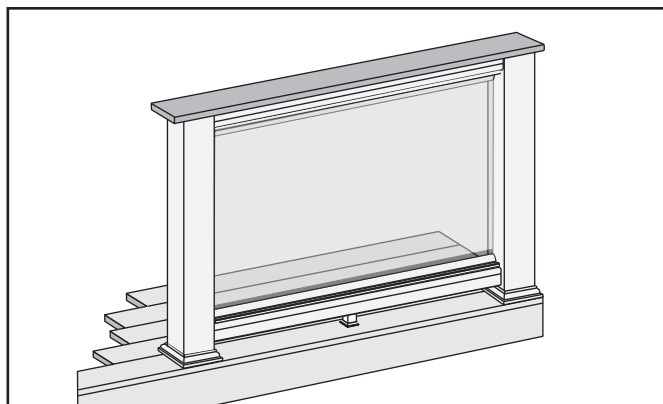
Attaching Post Caps

12. Secure post caps with silicone or PVC adhesive.

NOTE: Clean-up any excess adhesive before drying.



HOW TO ATTACH CLASSIC STYLE GLASS PANEL RAILING TREX TRANSCEND®



NOTES: Read all instructions BEFORE installation.

- » You must purchase the 1/4" (0.6 cm) tempered glass panels. See dimensions below.
- » Glass panels **ONLY** for use with maximum 6' (1.83 m) on center post spacing.
- » **NOT** recommended for stair applications.

TEMPERED GLASS PANEL DIMENSIONS

- » **36" (91.4 cm) high rail:**
1/4" x 30" x 63-1/2" max.
(0.6 cm x 76.2 cm x 161.3 cm)
- » **42" (106.7 cm) high rail:**
1/4" x 36" x 63-1/2" max.
(0.6 cm x 91.4 cm x 161.3 cm)

1. Installing Pressure-Treated Posts

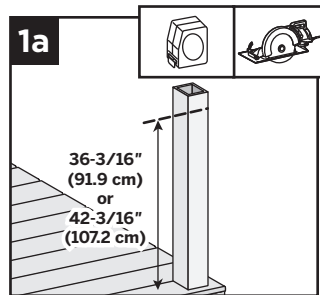
See instructions on page 3.

NOTE: If installing glass with Classic Rail design, rail posts and post sleeves must be cut.

HOW TO ATTACH CLASSIC STYLE GLASS PANEL RAILING/CONTINUED TREX TRANSCEND®

Cutting Post and Post Sleeve

- 1a. Mark and cut post and post sleeve measuring from deck surface:
 - » 36-3/16" (91.9 cm) or 42-3/16" (107.2 cm) for 36" (91.4 cm) height.
 - » 42-3/16" (107.2 cm) for 42" (106.7 cm) height.



2. Installing Post Sleeve Skirts and Post Sleeves

See instructions on page 3.

3. Installing Railing Support Brackets (RSBs)

See instructions on page 3.

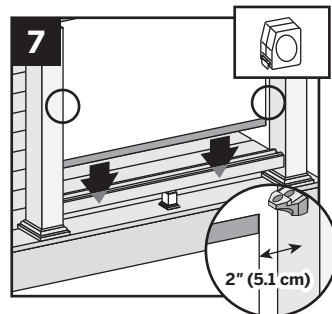
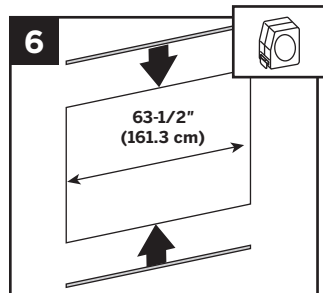
4. Cutting Railings

See instructions on page 4.

5. Attaching Bottom Rail (Universal or Beveled rail) and Foot Block

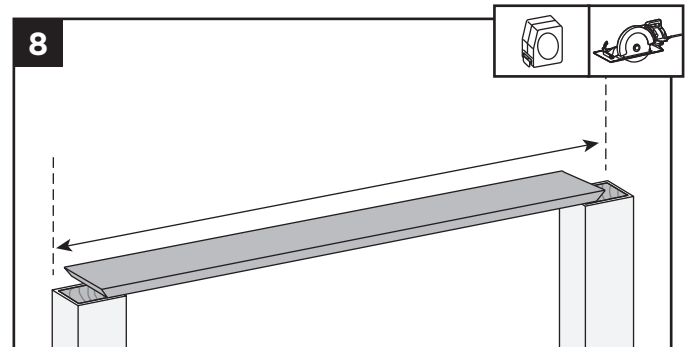
See instructions on page 4.

Attach Weatherstripping and Positioning Panel

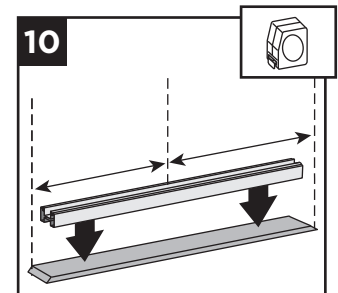
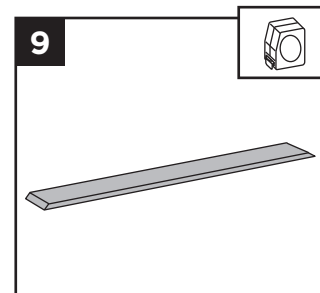


6. Push black-edged trim onto upper and lower edges of panel. Be sure trim runs entire length of glass. Extra trim can be cut with razor blade or scissors.
7. Position panel with weatherstripping into lower rail channel. Center panel between posts with about 2" (5.1 cm) of air space on each side of panel.

Attaching Top Rail and Panel Support Molding



8. Cut deck boards to appropriate length of railing span, remembering to include extra space on each side of the deck board to allow for attachment to the post. Decking boards must cover 1/2 of the pressure treated post to allow this to be fastened later. If you include extra decking material on each side this can be cut off later if need be.

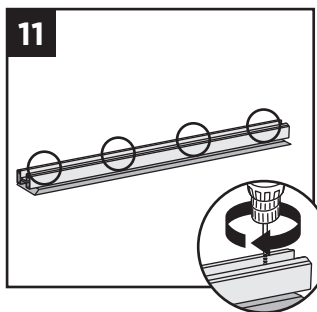


9. Place inverted deck board (place top side of deck board down) on clean, flat surface. (**DO NOT** use Escapes, Select, or Contour deck boards for top rail.)
10. Place universal rail (remembering to orient this properly so that when flipped over, the universal rail will accept the baluster spacer and balusters), on the deck board, centered in both directions to allow for final attachment to post.

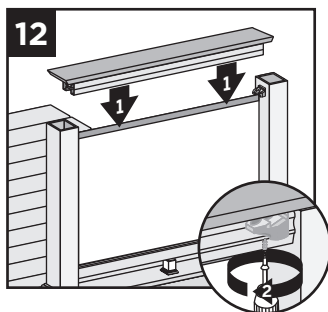
TREX TRANSCEND® RAILING

Installation Instructions

HOW TO ATTACH CLASSIC STYLE GLASS PANEL RAILING/CONTINUED TREX TRANSCEND®

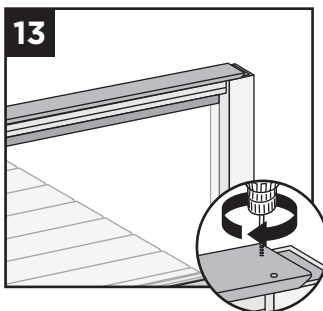


11. Secure deck board to universal rail with 2" (5.1 cm) pan head screws (not provided) approximately every 16" (40.6 cm) on center. (**DO NOT** overtighten.)

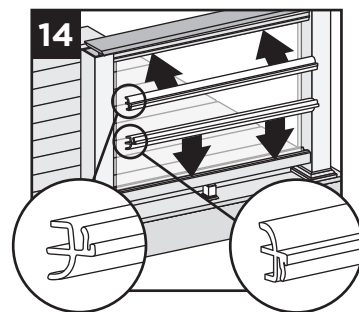


12. Place inverted universal rail with deck board attached onto RSB's with glass panel in the channel. Attach universal rail to RSB's with two self-tapping screws (provided).

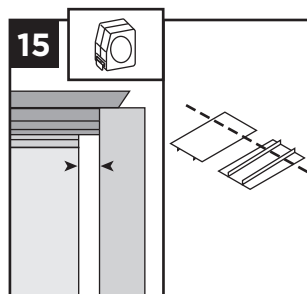
13. Attach deck board to post (ensure that screws are attached to wood post) with Trex recommended composite screws at a diagonal.



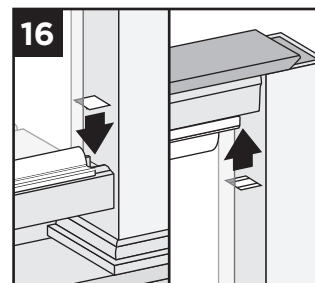
14. Install four panel support moldings (PSM) into rails to complete snap connection. Both the top and bottom PSM edges rest on the lip of the rails for both universal and beveled rails.



Hiding Brackets

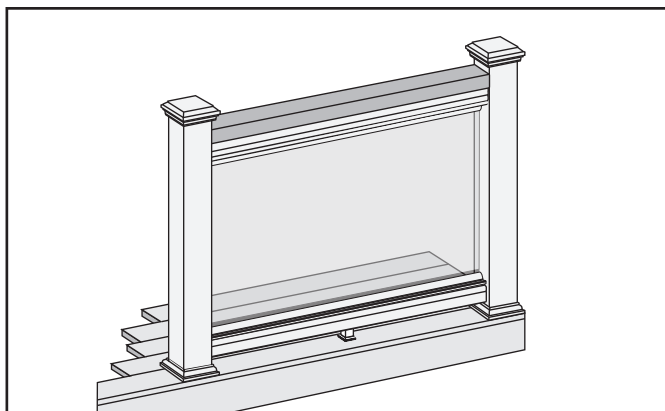


15. Cut Transcend baluster spacer into four lengths equal to distance between the glass panel and posts. Cut slowly and one at a time, to avoid chipping.



16. Snap spacer into bottom and top rail to hide brackets and create a seamless look.

HOW TO ATTACH COLONIAL STYLE GLASS PANEL RAILING TREX TRANSCEND®



NOTES: Read all instructions BEFORE installation.

- » You must purchase the 1/4" (0.6 cm) tempered glass panels. See dimensions below.
- » Glass panels **ONLY** for use with maximum 6' (1.83 m) on center post spacing.
- » **NOT** recommended for stair applications.

TEMPERED GLASS PANEL DIMENSIONS

- » **36" (91.4 cm) high rail:**
1/4" x 30" x 63-1/2" max.
(0.6 cm x 76.2 cm x 161.3 cm)
- » **42" (106.7 cm) high rail:**
1/4" x 36" x 63-1/2" max.
(0.6 cm x 91.4 cm x 161.3 cm)

12

Have Questions?
1-800-BUY-TREX

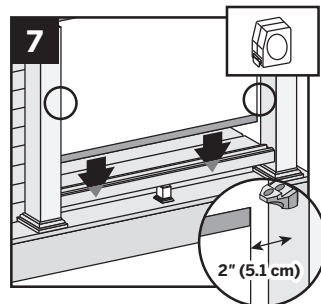
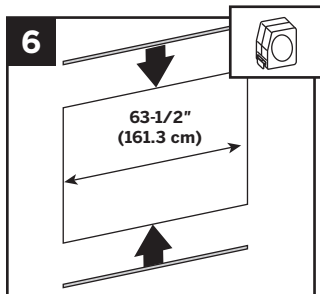
NOTE: Construction methods are always improving. Please ensure you have the most up-to-date installation instructions by visiting: trex.com

TR-0114

HOW TO ATTACH COLONIAL STYLE GLASS PANEL RAILING/CONTINUED TREX TRANSCEND®

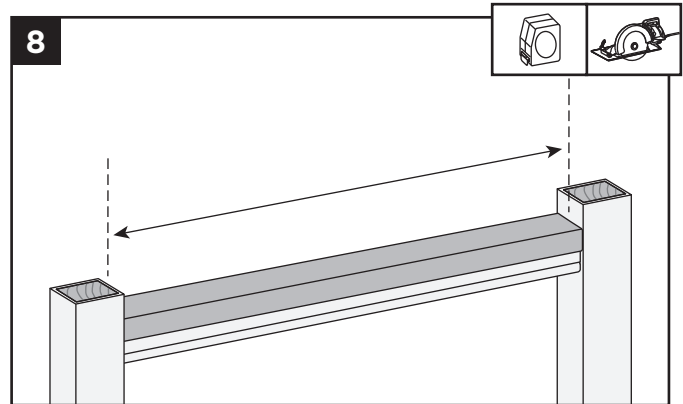
1. **Installing Pressure-Treated Posts**
See instructions on page 3.
2. **Installing Post Sleeve Skirts and Post Sleeves**
See instructions on page 3.
3. **Installing Railing Support Brackets (RSBs)**
See instructions on page 3.
4. **Cutting Railings**
See instructions on page 4.
5. **Attaching Bottom Rail (Universal or Beveled rail) and Foot Block**
See instructions on page 4.

Attach Weatherstripping and Positioning Panel

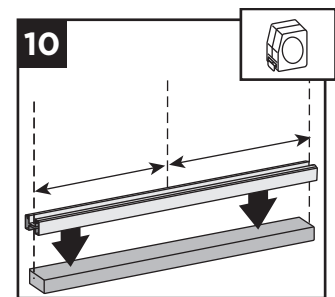
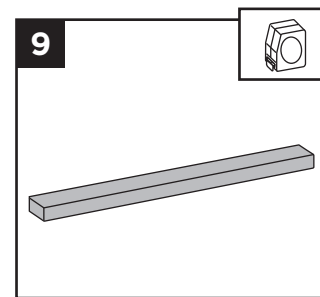


6. Push black-edged trim onto upper and lower edges of panel. Be sure trim runs entire length of glass. Extra trim can be cut with razor blade or scissors.
7. Position panel with weatherstripping into lower rail channel. Center panel between posts with about 2" (5.1 cm) of air space on each side of panel.

Attaching Top Rail and Panel Support Molding



8. Cut 2" x 4" (5.1 cm x 10.2 cm) to same length of the inverted Universal rail.

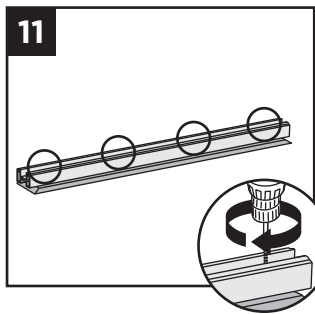


9. Place inverted 2" x 4" (5.1 cm x 10.2 cm) (place top side down) on clean, flat surface.
10. Place universal rail (remembering to orient this properly so that when flipped over, the universal rail will accept the baluster spacer and balusters), on the 2" x 4" (5.1 cm x 10.2 cm), centered.

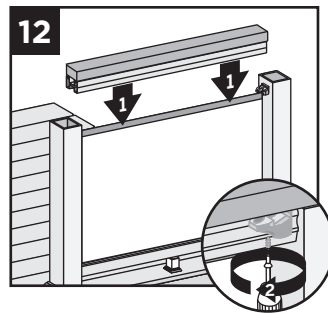
TREX TRANSCEND® RAILING

Installation Instructions

HOW TO ATTACH COLONIAL STYLE GLASS PANEL RAILING/*CONTINUED* TREX TRANSCEND®

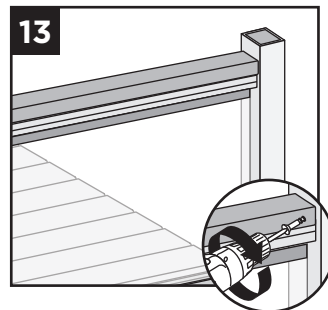


11. Secure 2" x 4" (5.1 cm x 10.2 cm) to universal rail with 2" (5.1 cm) pan head screws (*not provided*) approximately every 16" (40.6 cm) on center.

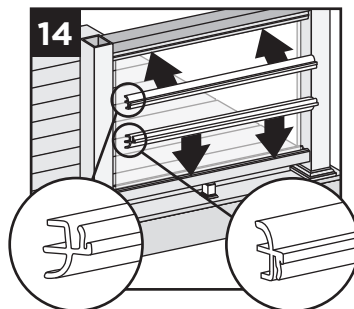


12. Place inverted universal rail with 2" x 4" (5.1 cm x 10.2 cm) attached onto RSB's with glass panel in the channel. Attach universal rail to RSB's with two self-tapping screws (*not provided*).

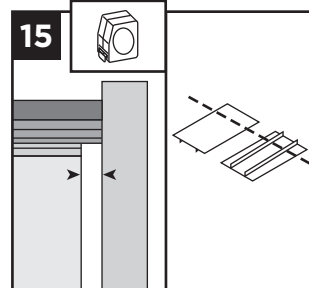
13. Pre-drill a pilot hole and toenail 2-1/2" (6.4 cm) screw at each end of the 2" x 4" (5.1 cm x 10.2 cm) into post on back side (side not facing decking).



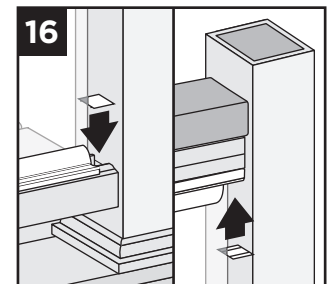
14. Install four panel support moldings (PSM) into rails to complete snap connection. Both the top and bottom PSM edges rest on the lip of the rails for both universal and beveled rails.



Hiding Brackets



15. Cut Transcend baluster spacer into four lengths equal to distance between the glass panel and posts. Cut slowly and one at a time, to avoid chipping.

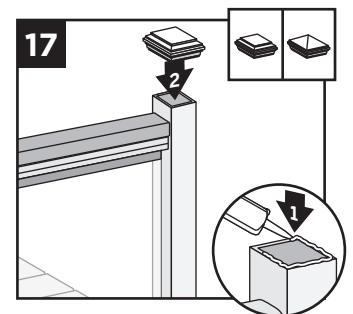


16. Snap spacer into bottom and top rail to hide brackets and create a seamless look.

Attaching Post Caps

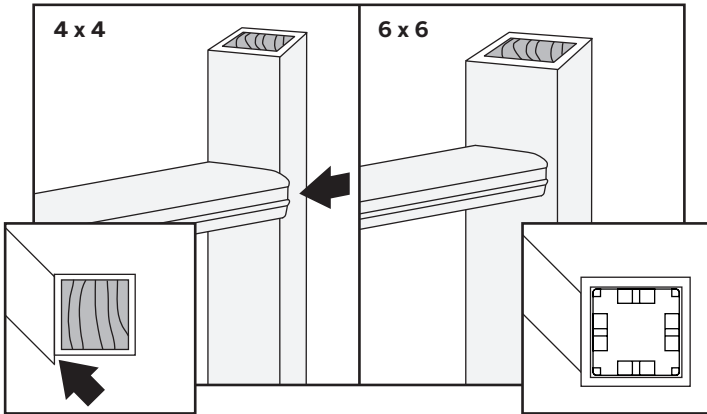
17. Secure post caps with silicone or PVC adhesive.

NOTE: Clean-up any excess adhesive before drying.



HOW TO INSTALL ON-AN-ANGLE RAILING TREX TRANSCEND® (CROWN AND UNIVERSAL RAILING)

NOTE: Trex Railing brackets are designed to be installed up to a 45° angle.



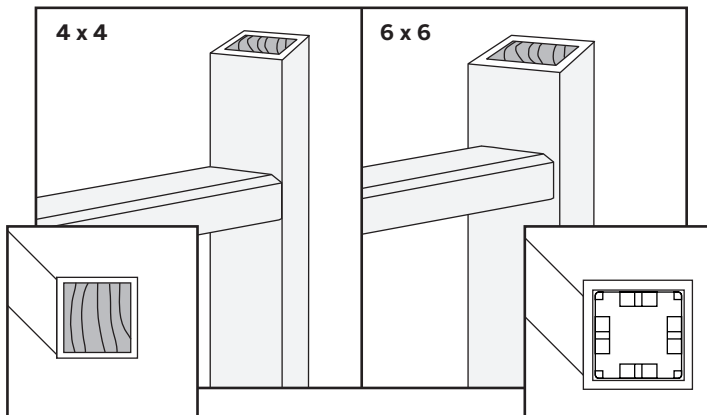
- » **Small angles** (1° - 30°). Both 4" x 4" (10.2 cm x 10.2 cm) or 6" x 6" (15.2 cm x 15.2 cm) post sleeves work well.
- » **Large angles** (31° - 45°). **USE ONLY** 6" x 6" (15.2 cm x 15.2 cm) post sleeves when installing on flat side.
- » **45° angles** using 4" x 4" (10.2 cm x 10.2 cm) post sleeves **MUST** use Transcend bird's mouth brackets.

NOTE: Railing will be installed on corner of posts.

- » Using 6" x 6" (15.2 cm x 15.2 cm) post sleeves at 45° angles. Brackets are installed off-center and use 45° Transcend gaskets.
- » Railing gaskets are designed to fit at 0°, 22.5°, and 45° angles. Gaskets are labeled with appropriate angle dimension.

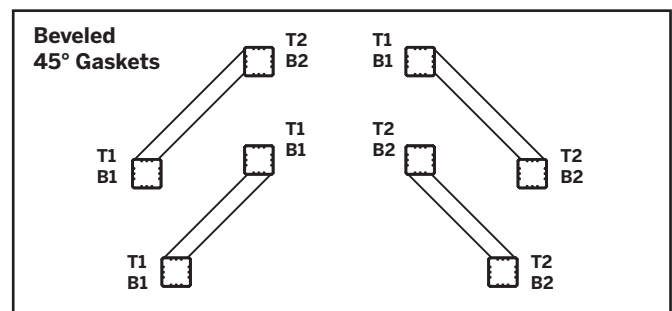
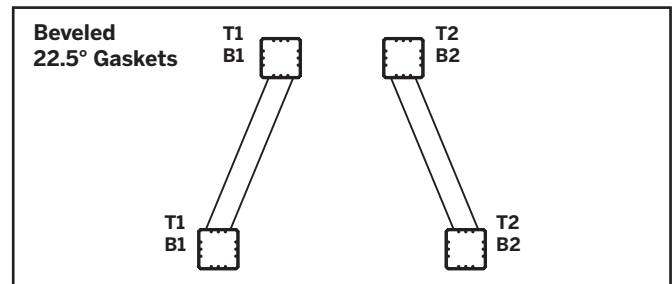
HOW TO INSTALL ON-AN-ANGLE RAILING TREX TRANSCEND® (BEVELED RAILING)

NOTE: Trex railing brackets are designed to be installed up to a 45° angle.



- » **Angle Range** (1° - 45°). Both 4" x 4" (10.2 cm x 10.2 cm) or 6" x 6" (15.2 cm x 15.2 cm) post sleeves work well.
- » If installing at 45° angles, using 4" x 4" (10.2 cm x 10.2 cm) or 6" x 6" (15.2 cm x 15.2 cm) post sleeves, install brackets slightly off-center to allow actual railing to be centered on the post sleeve.

- » Horizontal railing gaskets are designed to fit at 0°, 22.5°, and 45° angles. Gaskets are labeled in order to



TREX TRANSCEND® RAILING

Installation Instructions

HOW TO INSTALL CROWN, UNIVERSAL AND BEVELED BIRD'S MOUTH RAILING

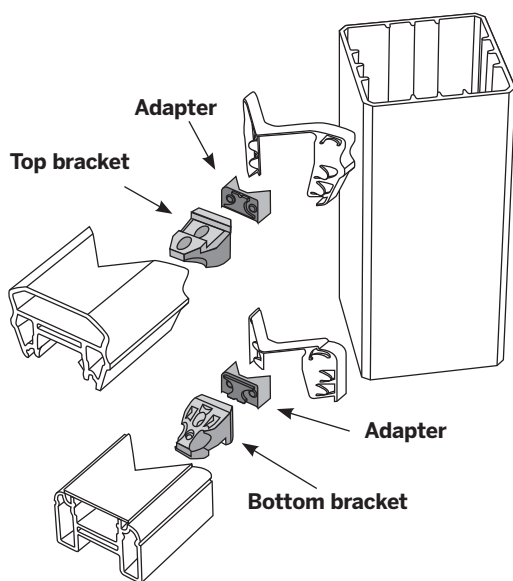
TREX TRANSCEND®

NOTES:

- » Use with 4" x 4" (10.2 cm x 10.2 cm) post sleeve **ONLY**.
- » Gaskets are only designed for use with Transcend crown and universal railing (not beveled railing).

Read all instructions **BEFORE** installation.

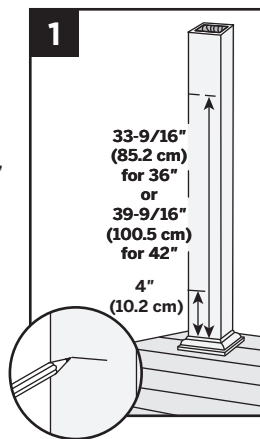
PARTS



Mark Posts

1. Measure and mark 4" (10.2 cm) and 33-9/16" (85.2 cm) up from top of post skirt. For a 42" (106.7 cm) rail, top mark is 39-9/16" (100.5 cm) on post.

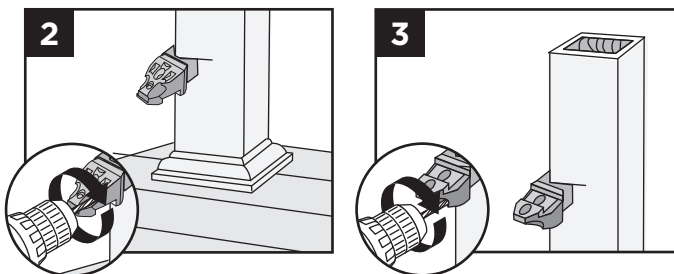
NOTE: Without skirt, add 1-1/2" (3.8 cm) to measurements.



Attaching Adapters

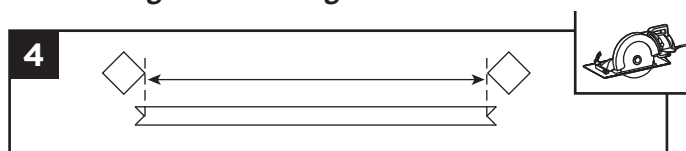
Snap adapters into RSBs.

Pre-drill Bottom and Top RSBs



2. Position RSBs with adapter (**flat side DOWN**) for lower rail, mark and pre-drill screw holes with 1/8" (0.3 cm) drill bit on post.
3. Position RSBs with adapter (**flat side UP**) for top rail, mark and pre-drill screw holes with 1/8" (0.3 cm) drill bit on post.

Measuring and Cutting Rails



4. Measure from corner-to-corner between posts. Mark 45° cuts on rails with template on assembly tool. Center of "V's" is the distance from corner-to-corner for posts.

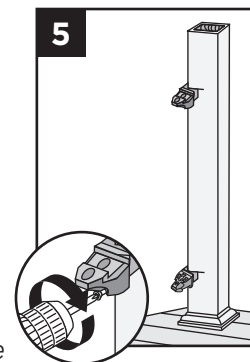
NOTE: Subtract 1/16" (0.15 cm) from each end to accommodate rail gaskets.

Attaching Top and Bottom RSBs

5. Attach RSBs with adapters to posts with wood screws (provided).

NOTES:

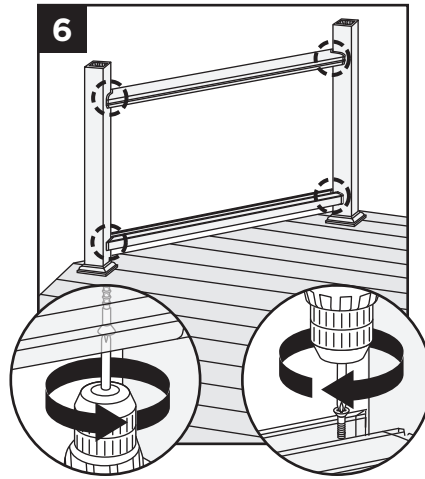
- » Drill at slight inward angle to drill holes on marks.
- » Lay cut lower rail into position on decking surface between the posts before attaching the lower RSB. There may be some difficulty attaching the lower rail if you fail to do this.



HOW TO INSTALL CROWN, UNIVERSAL, AND BEVELED BIRD'S MOUTH RAILING/CONTINUED TREX TRANSCEND®

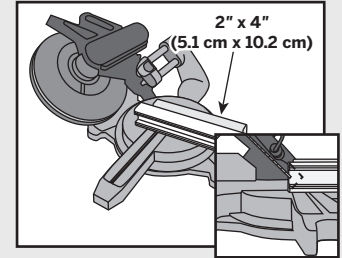
Installing Railings to RSB's

6. Attach with self-tapping screws (provided).



Using Miter Box Saw to Cut Rails

1. Place 2" x 4" (5.1 cm x 10.2 cm) on edge behind the rail to allow for complete cut.
2. Angle blade to 45°.
3. Set stop on saw so blade travels half the depth of rails. Several test cuts can be made on scrap material to accurately set the stop.
4. "V" cut both sides of the rail.



NOTE: Transcend's crown, universal, as well as beveled rails will require different stop settings.

TREX TRANSCEND® RAILING

Installation Instructions

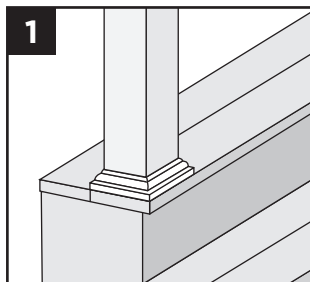
HOW TO INSTALL CROWN, UNIVERSAL, AND BEVELED STAIR RAILING TREX TRANSCEND®

Read all instructions BEFORE installation.

NOTE: All Transcend railings and gaskets work **ONLY WITH STAIR SLOPES OF 32°-37°.**

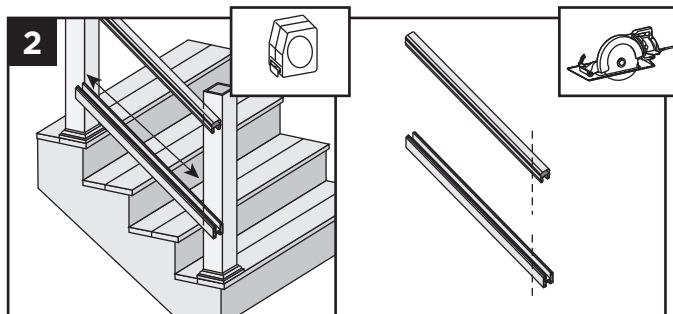
Installing Posts, Post Sleeve Skirts, and Post Sleeves for Stair Rails

1. Install posts, post sleeve skirts, and post sleeves according to standard Transcend railing instructions. See page 3.



- » In most cases, a post and post sleeve longer than 39" (99.1 cm) will be needed on the lower section of stair rail to accommodate stair angle.
- » Make sure top and bottom posts for stairs are installed at nose of each tread.

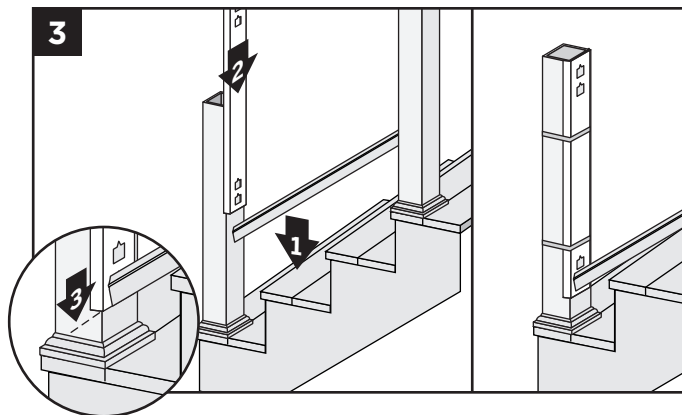
Measuring and Cutting Railings



2. Set railing along the nose of the stair treads and mark line at each intersection. Cut rails on marks.

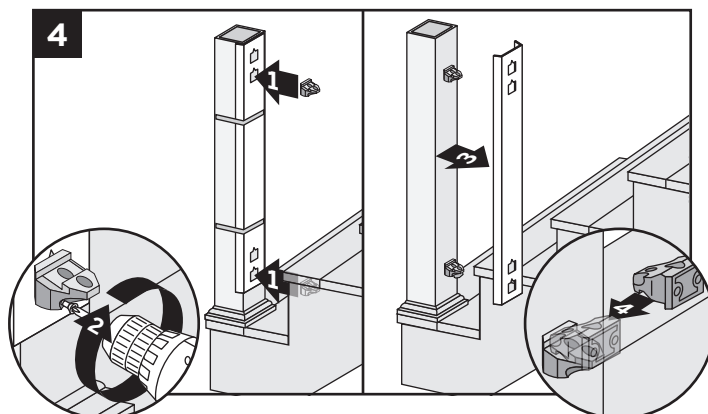
NOTE: If using railing gaskets, subtract 1/16" (0.15 cm) maximum, from each end and cut.

Positioning RSBs on BOTTOM Post



3. Position bottom rail between posts and slide TrexExpress™ railing assembly template into position with bottom rail outline on template aligned with end of bottom rail. Allow a minimum clearance of 1" (2.5 cm) from stair tread. Secure template with rubber bands. Remove rail.

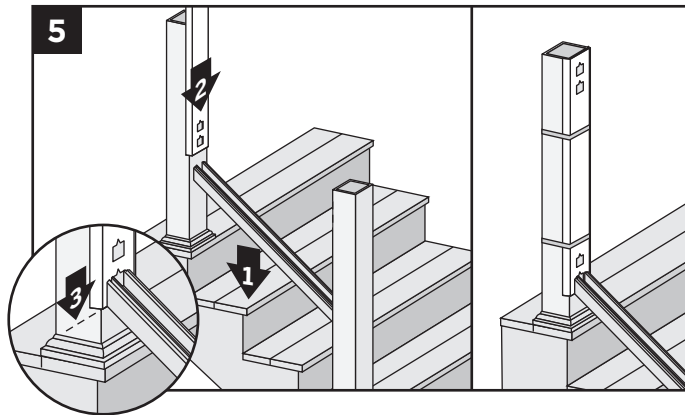
Attaching RSBs to BOTTOM Post



4. Attach upper and lower RSBs to bottom post, **flat side UP**, with wood screws provided. Remove template and place a second RSB, turned upside down, and interlock on each bracket.

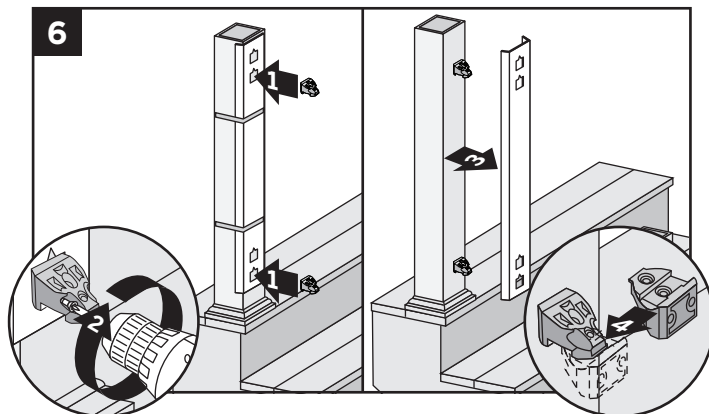
HOW TO INSTALL CROWN, UNIVERSAL, AND BEVELED STAIR RAILING/CONTINUED TREX TRANSCEND®

Positioning RSBs on UPPER Post



5. Position pre-cut bottom rail between posts. Slide TrexExpress™ railing assembly template into position, aligning bottom rail outline on template with end of bottom rail. Use rubber bands to hold template in place. Remove rail.

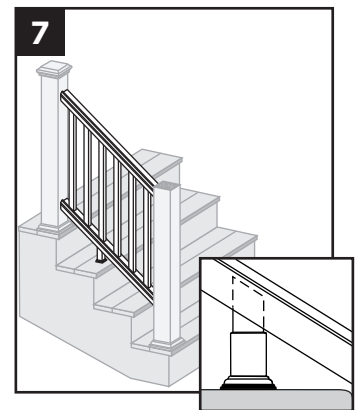
Attaching RSBs on UPPER Posts



6. Attach upper and lower RSBs to top post, **flat side DOWN**. Remove template. Take second RSB, turn upside down and interlock into each bracket.

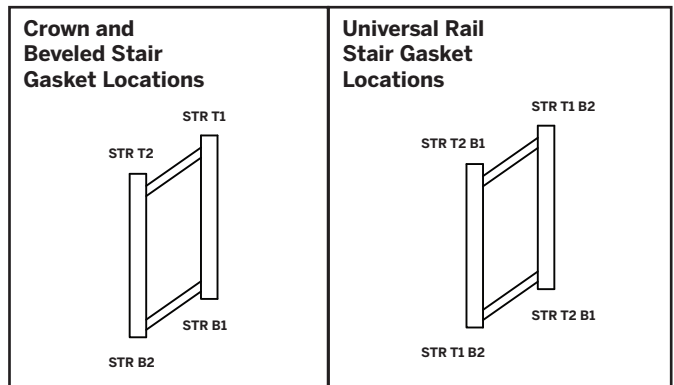
Complete Stair Rails Installation

7. Install foot blocks prior to installing lower rail. Refer to "How to Install Universal and Beveled Railing Foot Blocks" on page 18. For stair application, cut top section of foot block at an angle to match rail, pre-drill, and fasten.



Install top and bottom railings, balusters, and baluster spacers according to previous instructions based on the style railing that is installed.

Attaching Optional Gaskets

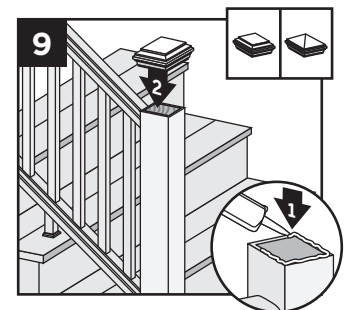


8. Stair railing gaskets are designed to fit at slopes of 32° to 37°. Gaskets are labeled in order to ensure correct location.

Attaching Post Caps

9. Secure post caps with silicone or PVC adhesive.

NOTE: Clean-up any excess adhesive before drying.



TREX TRANSCEND® RAILING

Installation Instructions

HOW TO INSTALL UNIVERSAL AND BEVELED RAILING FOOT BLOCKS TREX TRANSCEND®

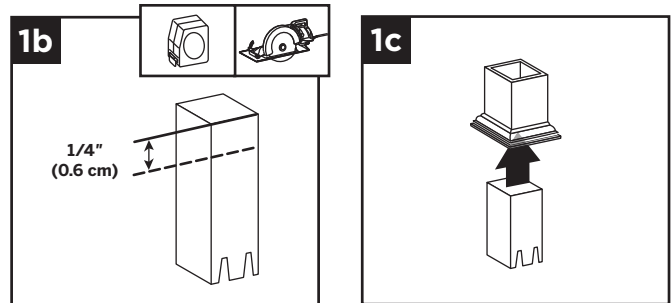
READ ALL IMPORTANT NOTES BELOW BEFORE REFERRING TO INDIVIDUAL FOOT BLOCK INSTRUCTIONS

IMPORTANT NOTES:

» BEVELED RAILING NOTES:

- IF YOU HAVE A FOOT BLOCK WITH A DATE CODE OF ART-FTB-1108 ON THE INSTRUCTION SHEET (LOCATED ON BOTTOM RIGHT CORNER OF INSTRUCTIONS), THE FOOT BLOCK WILL NEED TO BE TRIMMED PRIOR TO ATTACHMENT TO BOTTOM RAIL. SEE STEPS 1A - 1C FOR DETAILS.
- IF YOU HAVE A FOOT BLOCK WITH A DATE CODE OF TR-FTB-0912 ON THE INSTRUCTION SHEET, TRIMMING IS NOT REQUIRED.

- » Foot blocks must be placed before installing bottom rails.
- » One centered foot block is required for every section of railing or stairway section.



- 1b. Measure 1/4" (0.6 cm) at solid portion of upper beam and cut here. **(DO NOT cut from bottom of the beam which shows the pre cut edges that mates to the base of the foot block.)**
- 1c. Re-assemble the foot block by pushing the upper beam through the underside of the base of the foot block and allowing this to catch/snap into position. **DO NOT** fully extend at this time.

Trimming Foot Block for Beveled Railings Only

- 1a. Dismantle foot block into two sections – this can be done by fully extending the upper beam and continuing to pull this through which will separate the foot block into two sections.

